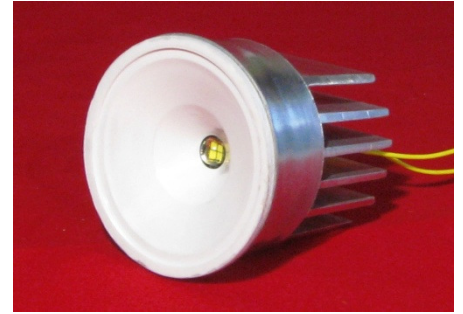


Description

The 'MR16 Quad LED Lamp' is a LED based luminary powered by a four in one high efficiency CREE Inc, USA LED. This luminary contains a high frequency 12VDC converter enabling it to run directly from constant voltage power supplies thus simplifying installation. Its direct 12VDC operation makes it possible for use in solar powered applications. With high voltage parts away from the luminary safety of the installation is greatly enhanced. Its fully enclosed dustproof design protects the lamp from dust and foreign objects during installation and gives it maintenance free usage. The all aluminum construction gives the lamp exceptional reliability and long operating life of 50,000 hours.



The STANESH edge

- Cree Inc. USA, XLamp LED's
- Low Voltage 12VDC operation for safety and ideal for use with solar power
- Polarity independent
- Fully enclosed Dustproof design (IP60 construction)
- All Aluminum design for long life color



Available Types

Part No.	Colour Temp. (K)
12V MR16 Quad 3000K	Warm White (3000K)
12V MR16 Quad 4000K	Warm White (4000K)
12V MR16 Quad 5000K	Neutral White (5000K)
12V MR16 Quad 6000K	Cool White (6000K)
12V MR16 Quad 7000K+	Cool White (>7000K)

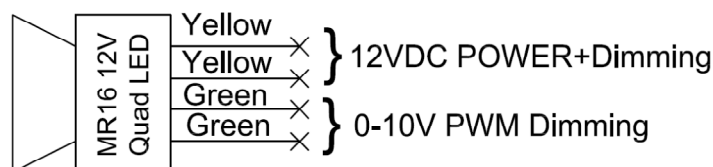
MR16 12V Quad (Model No)	<input type="checkbox"/>	<input type="checkbox"/>	<input type="checkbox"/>	<input type="checkbox"/>	<input type="checkbox"/>
	3000K	4000K	5000K	6000K	>7000K
	S	M	W	W+	

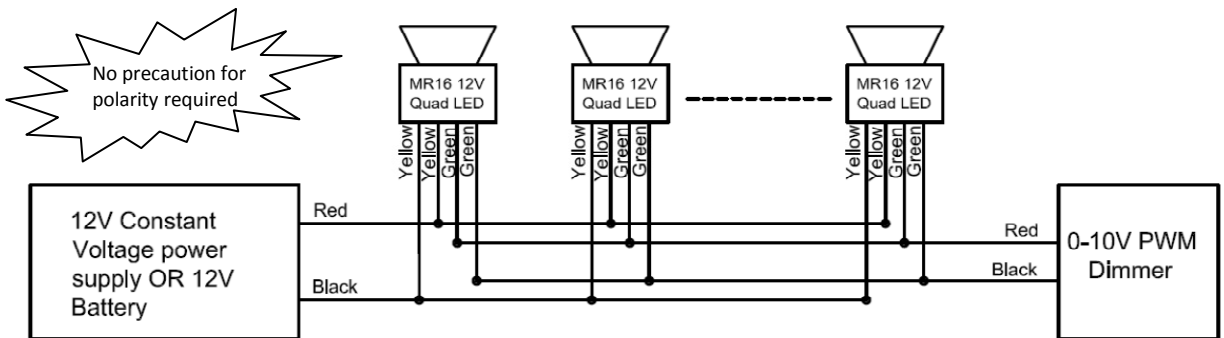
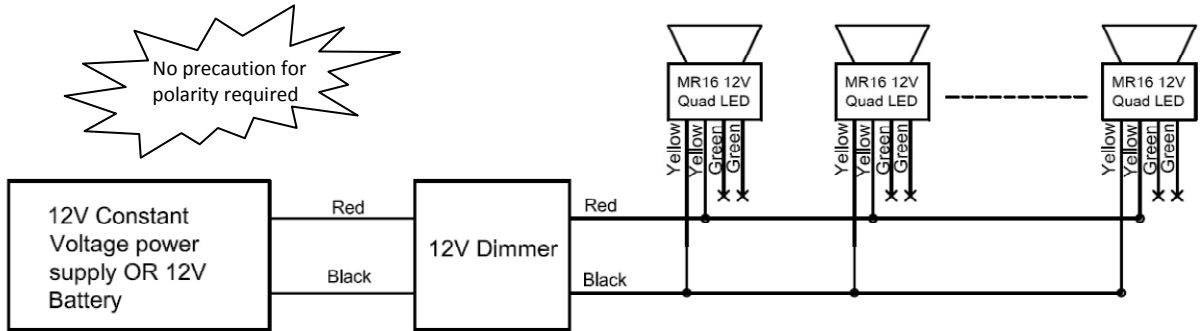
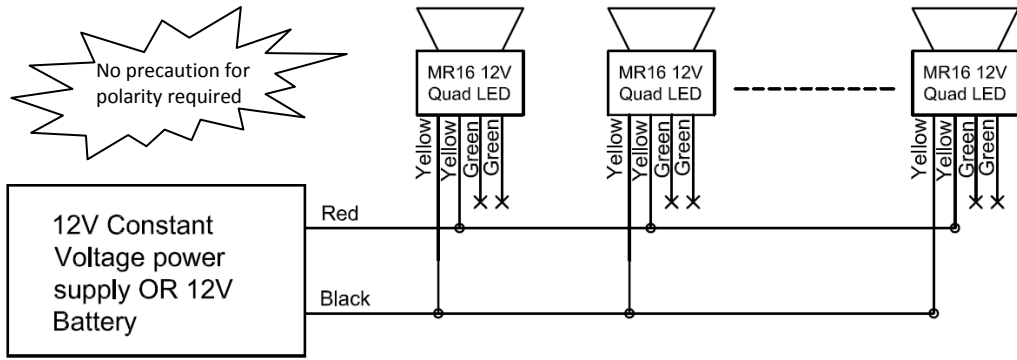
Each of the above is available in 4 beam patterns S (20°), M (38°), W (48°) and W+ (diffused)

Electrical Specifications

Symbol	Description	Typical	Unit
V_{dc}	DC Input operating voltage	12.0	V
V_{peak}	DC Input surge voltage (1min max)	18.0	V
I_{nom}	DC Input current (+-10%)	0.4	A
P_{in}	Power	5.0	W
F_{osc}	Internal converter frequency	100	kHz
t_a	Ambient Temperature	40	°C
t_c	Rated maximum temperature	70	°C

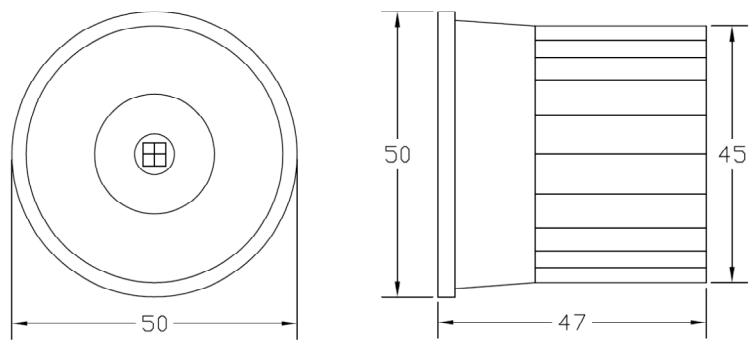
Connection Diagram





Mechanical Specifications

(All dimensions are in mm)



Optical Specifications

